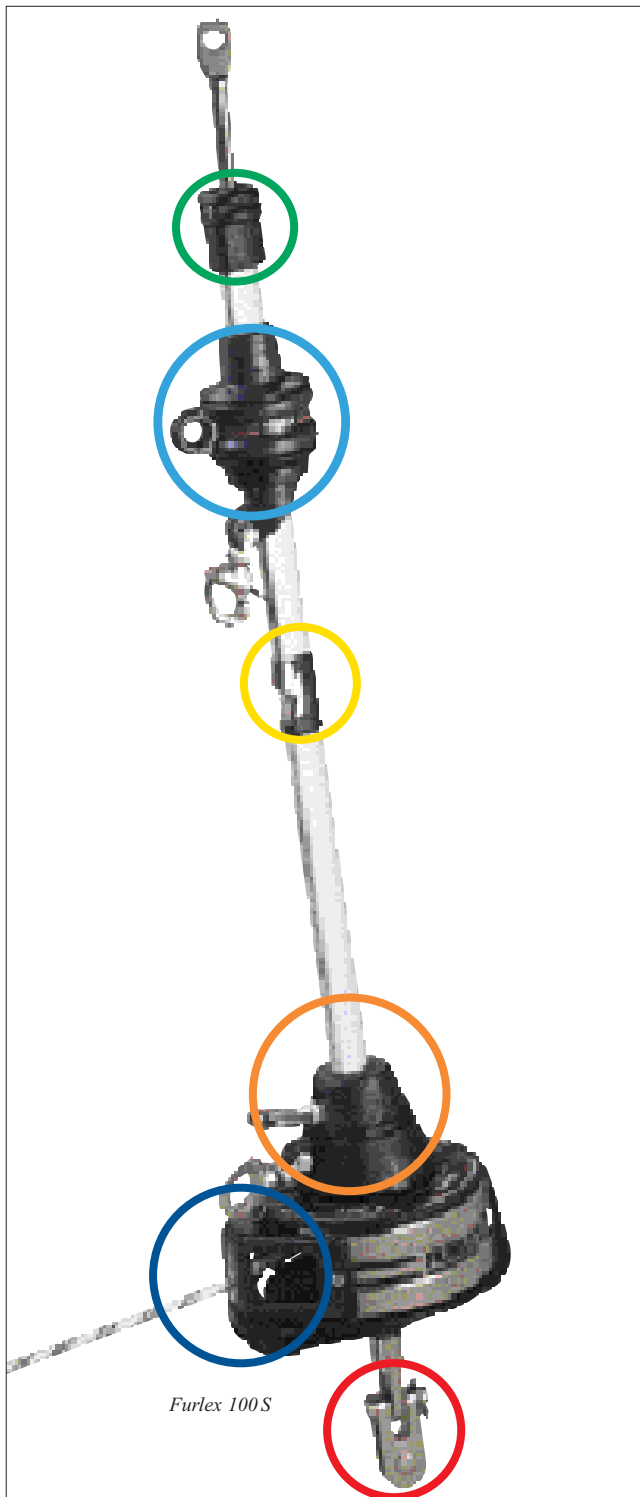


Furlex 100 S

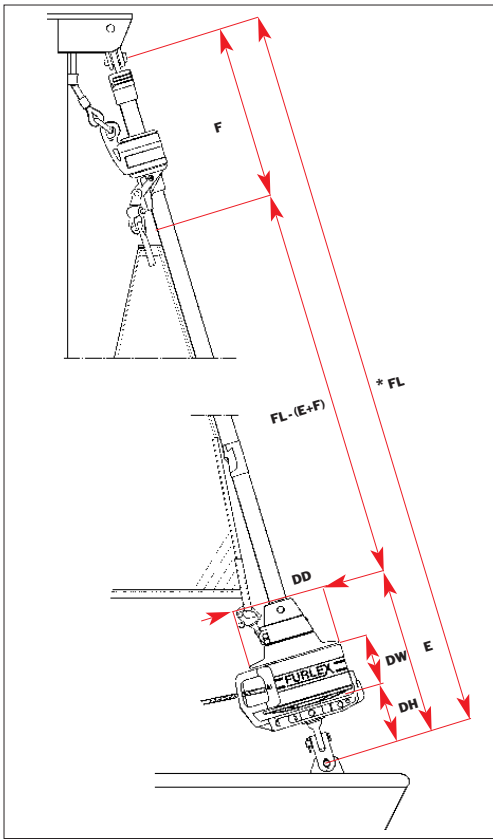
Jib furling and reefing system for yachts up to approx. 30ft

FURLEX
SELDÉN



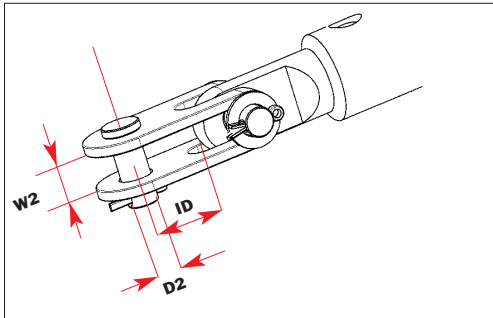
- Centred and insulated forestay plus completely insulated joining sleeves – makes furling easier, gives less wear with no risk of corrosion.
- Unique, patented ‘load-distributor’ for easy furling and unrivalled bearing durability. Light weight halyard swivel keeps weight aloft to a minimum.
- Highest grade, marine stainless steel SS2343 – for improved durability and service life. Selected components in composite – for the optimum strength-to-weight ratio.
- Tack swivel with a ‘free-turn’ combined with the uniform profile of the forestay extrusion will give a perfectly furled sail and effective performance even when reefed. Twin grooves, built-in pre-feeder and a split drum – facilitates sail hoisting, allows for fast sail changes and makes Furlex easily adapted for racing.
- Unique ‘line-guide’ system – controls and centres furling line and arranges it evenly onto the drum.
- The Furlex 100S has no internal turnbuckle. We recommend that you adjust the mast via the backstay instead of using a turnbuckle on the forestay. However, an optional external turnbuckle for the 100S model (6 mm wire), for mounting under the drum, is available.

 **SELDÉN**

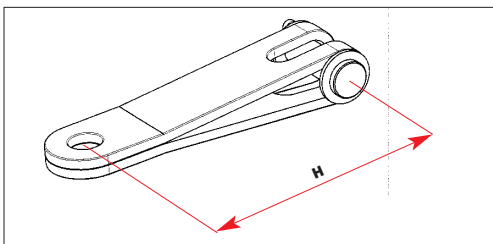


Complete system: Main dimensions.

* Existing forestay length.



Furlex standard toggle: Main dimensions.



Extension Link: Used to increase the distance between the lower unit and the deck for a bow anchor etc. In some cases it can also be used when the lower unit is fitted inside the anchor box.

(See manual for more details).

Furlex Series	Forestay dim. mm	Rod Navtec	Rod Riggarna mm	Max righting moment (Nm) at 30° heel		Approx. displacement tonnes	
				Masthead rig	Fractional rig	Masthead rig	Fractional rig
100 S	4	–	–	6500	8000	1.3	1.5
	5	–	–	10000	14500	2.3	3.0
	6	–	–	17000	16000	3.0	4.0

Furlex Series	DH mm	DW mm	DD mm	E mm	F mm	ID mm	W2 mm	D2 Clevis pin Ø mm	Forestay-adjustment mm	Extension H mm	Halyard sheave box Part number
100 S	100	80	152	280	360	17	8,5	8	–	–	505-004-10
	100	80	152	280	360	19	11	10	–	–	505-004-10
	100	80	152	280	360	24	11	10	50	90	505-006-10

Furlex Series	Forestay dimension mm	Max forestay length m	Part. number Without turnbuckle
100 S	4	8,1	027-019-51
	4	10,5	027-019-52
	5	8,1	027-019-53
	5	10,5	027-019-54
	5	12,9	027-019-55
	6	10,5	027-019-56
	6	12,9	027-019-57

For more information:

 **SELDÉN**

www.seldenmast.com

Sweden: Seldén Mast AB, Tel +46 (0)31 69 69 00, e-mail info@seldenmast.com UK: Seldén Mast Ltd., Tel +44 (0)1489 48 40 00, e-mail info@seldenmast.co.uk USA: Seldén Mast Inc., Tel +1 843-760-6278, e-mail info@seldenus.com Denmark: Seldén Mast A/S, Tel +45 39 18 44 00, e-mail info@seldenmast.dk the Netherlands: Seldén Mid Europe B.V., Tel +31 (0)111-698 120, e-mail info@seldenmast.nl